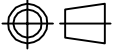


THIRD ANGLE PROJECTION

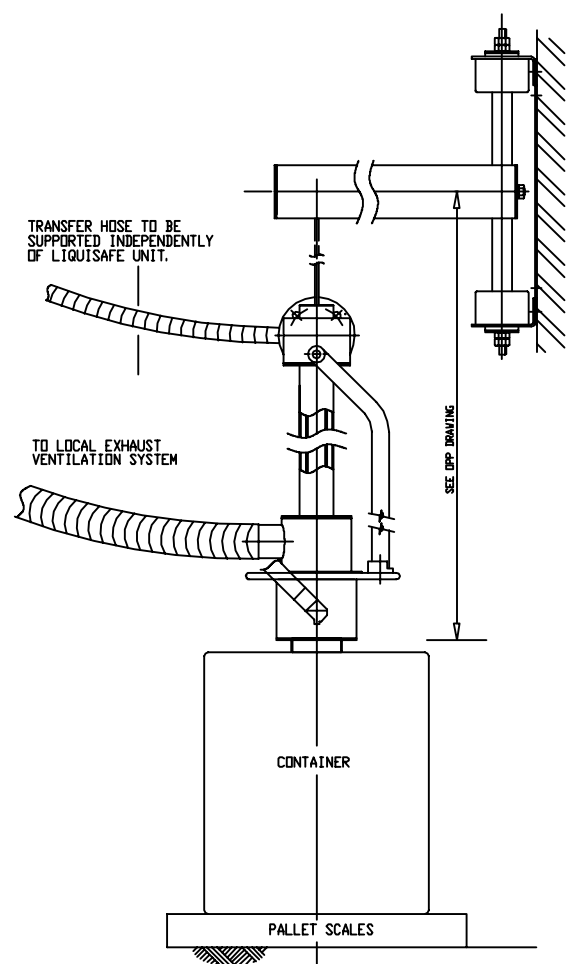
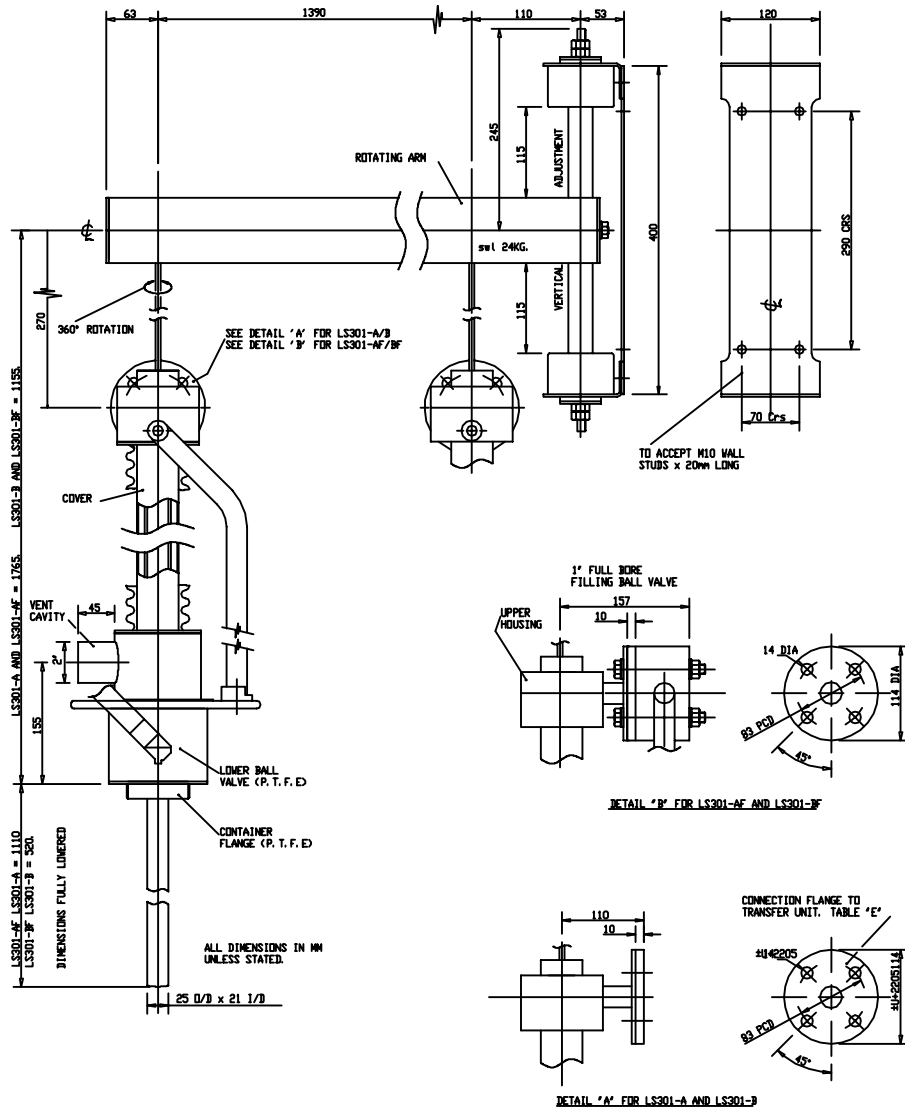


NOT TO BE SCALED IF IN DOUBT ASK



GENERAL TOLERANCES (MACHINED ITEMS) U. O. S.  
 FRACTIONAL SIZES ±1/64" DRILLED HOLES +0.25mm  
 METRIC SIZES ±0.15mm ANGLES ±0.30" -0.00mm  
 IMPERIAL SIZES ±0.006" SURFACE FINISH Ra 0.8

GENERAL TOLERANCES (FABRICATED) U. O. S.  
 UP TO 1 MTR ±0.7mm (1/32")  
 OVER 1 MTR ±1.5mm (1/16")  
 BATCH BENDING WORK CAN BE HELD AT 0.2mm



NOTICE: This drawing is the property of White Bros-Ltd and is loaned subject to the condition that it shall not be reproduced, copied, loaned or submitted to outside parties for examination without written consent.

REVISION	DESCRIPTION	DRAWN BY	DATE
0	FIRST ISSUE	A. G.	9-2-06

**WHITE BROS**

Gosforth Industrial Estate  
 Newcastle upon Tyne  
 NE3 1XD  
 Tel: (0191) 213 0435  
 Fax: (0191) 284 1351

SCALE	N/A	TITLE
DRAWN BY	A. G.	LS301-003
CHECKED BY	WNS	CAD REF. LS301-003
DATE	9-2-06	CAD DIRECTORY
JOB NO.		LIQUISAFE