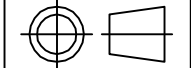
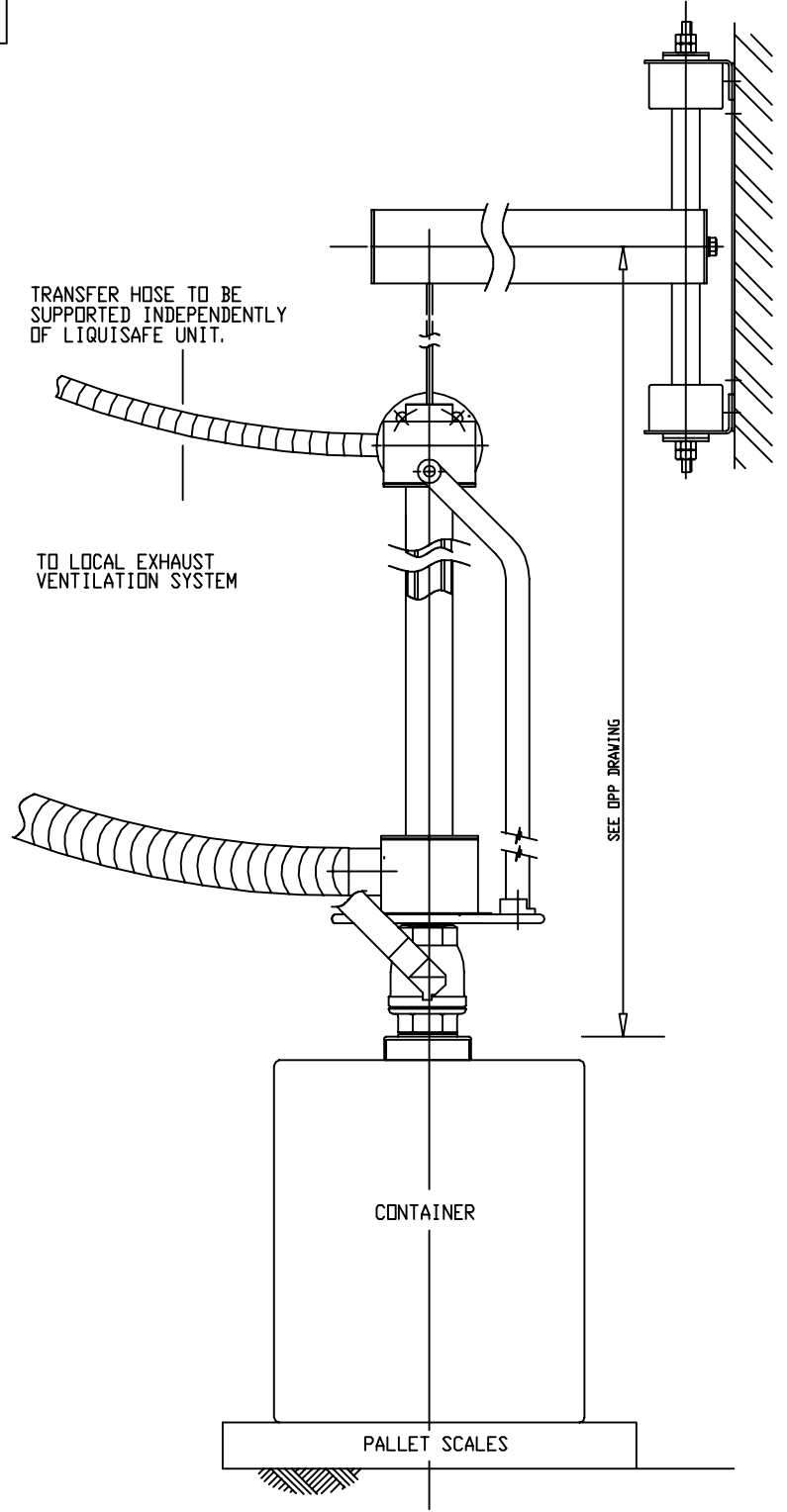
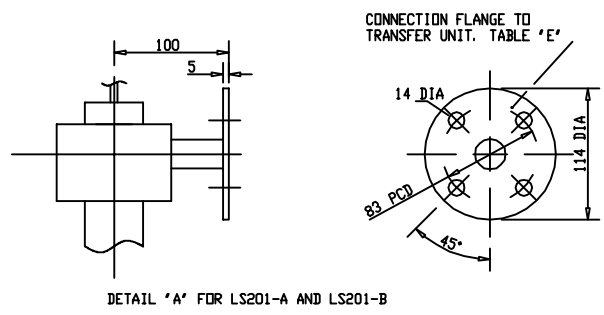
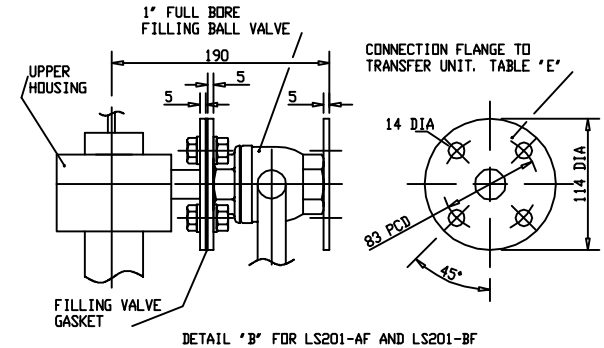
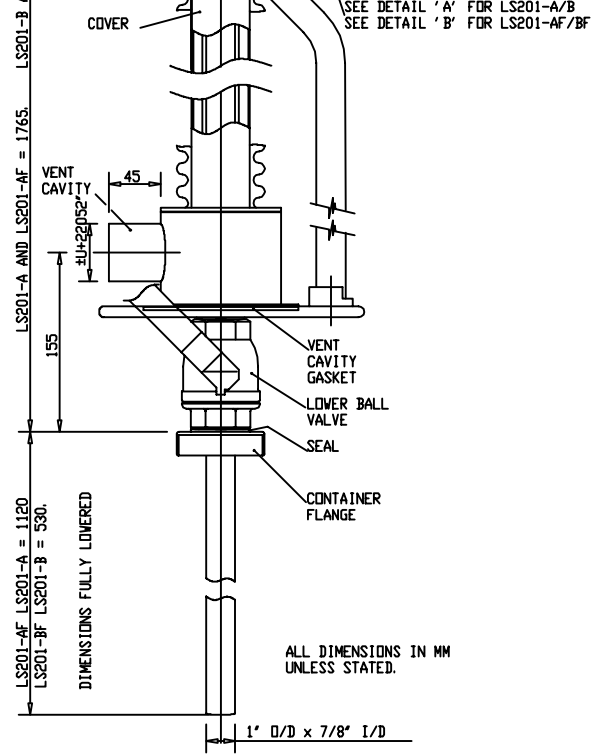
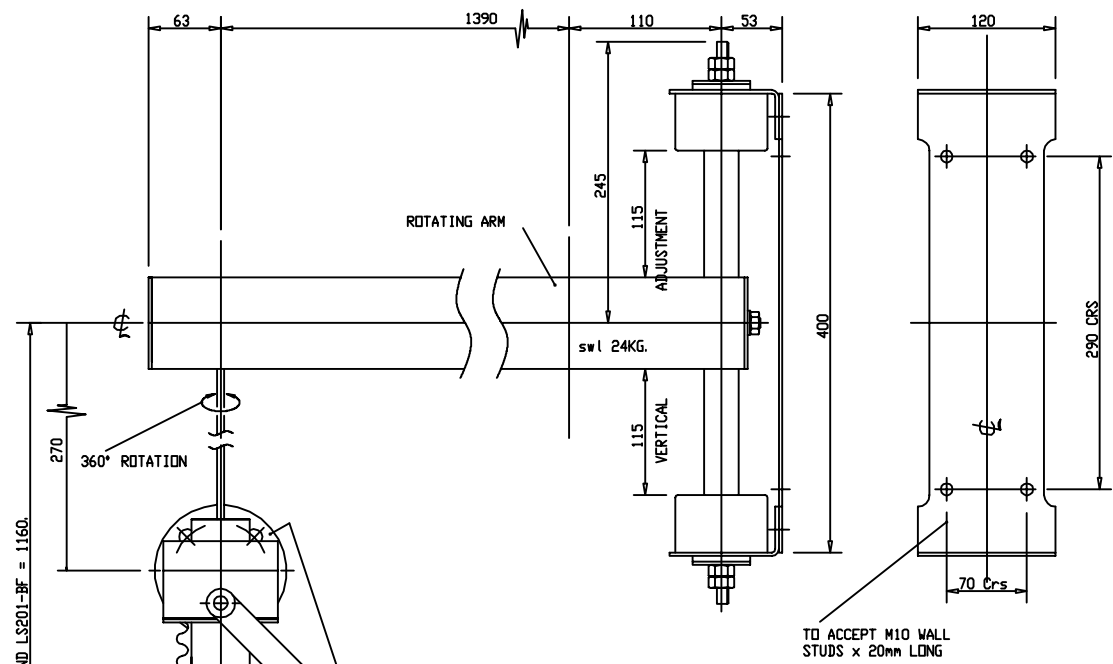


THIRD ANGLE PROJECTION



NOT TO BE SCALED IF IN DOUBT ASK  
0 10 MILLIMETRES 100

|  |                                  |   |  |
|--|----------------------------------|---|--|
| GENERAL TOLERANCES (MACHINED ITEMS) U. D. S. |                                  | GENERAL TOLERANCES (FABRICATION) U. D. S. |  |
| FRACTIONAL SIZES ±1/64"                      | DRILLED HOLES +0.25mm<br>-0.00mm | UP TO 1 MTR ±0.7mm (1/32")                |  |
| METRIC SIZES ±0.15mm                         | ANGLES ±0.30°                    | OVER 1 MTR ±1.5mm (1/16")                 |  |
| IMPERIAL SIZES ±0.006"                       | SURFACE FINISH Ra 0.8            | BATCH BENDING WORK CAN BE HELD AT 0.2mm   |  |



NOTICE: This drawing is the property of White Bros Ltd and is loaned subject to the condition that it shall not be reproduced, copied, loaned or submitted to outside parties for examination without written consent.

|          |             |          |        |
|----------|-------------|----------|--------|
| 0        | FIRST ISSUE | A. G     | 9-2-06 |
| REVISION | DESCRIPTION | DRAWN BY | DATE   |

**WHITE BROS**  
 Gosforth Industrial Estate  
 Newcastle upon Tyne  
 NE3 1XD  
 Tel: (0191) 213 0455  
 Fax: (0191) 284 1351  
 (N/CLE ON TYNE) LTD.

|            |      |               |           |
|------------|------|---------------|-----------|
| SCALE      | N/A  | TITLE         | LS201-012 |
| DRAWN BY   | A. G | DATE          | 9-2-06    |
| CHECKED BY | WNS  | DATE          | 9-2-06    |
| JOB NO.    |      | CAD REF.      | LS201-012 |
|            |      | CAD DIRECTORY | LIQUISAFE |